

CAN Output Expander Model ZE061-1

Introduction:

Powerful expansion device to convert CAN messages to output drive signals.

The CAN Output Expander allows a user to take CAN input signals and convert them to output drive signals. These can be used for powering external relays, lights and even motors.

This allows for greater simplification of wiring looms and vehicle layouts.

The Expander is housed in a compact, lightweight anodised casing that has been CNC machined from billet aluminium.

The input signal can be converted to simple on/off control or used to send PWM duty based drives at a user definable frequency. Simple CAN translation is also possible with user definable tables. Logic options allow for simple addition, subtraction and masking to be done for accurate control.



Summary:

Choice of either 7 low side drivers or 5 low and 2 high side drivers

3 Amp individual capacity

20 amp total capacity

H bridge functionality

Outputs mapped to CAN messages - 2D table of PWM vs input signal

Simple on/off requests

LED output indicator

Possibility to combine input channels to create user defined control strategies

Powerful development tool as well as distributed power module or simple extra output expander.

Internal overall current measurement on both high and low side drivers.

Set up with easy to use Shiftec interface software

System requirements:

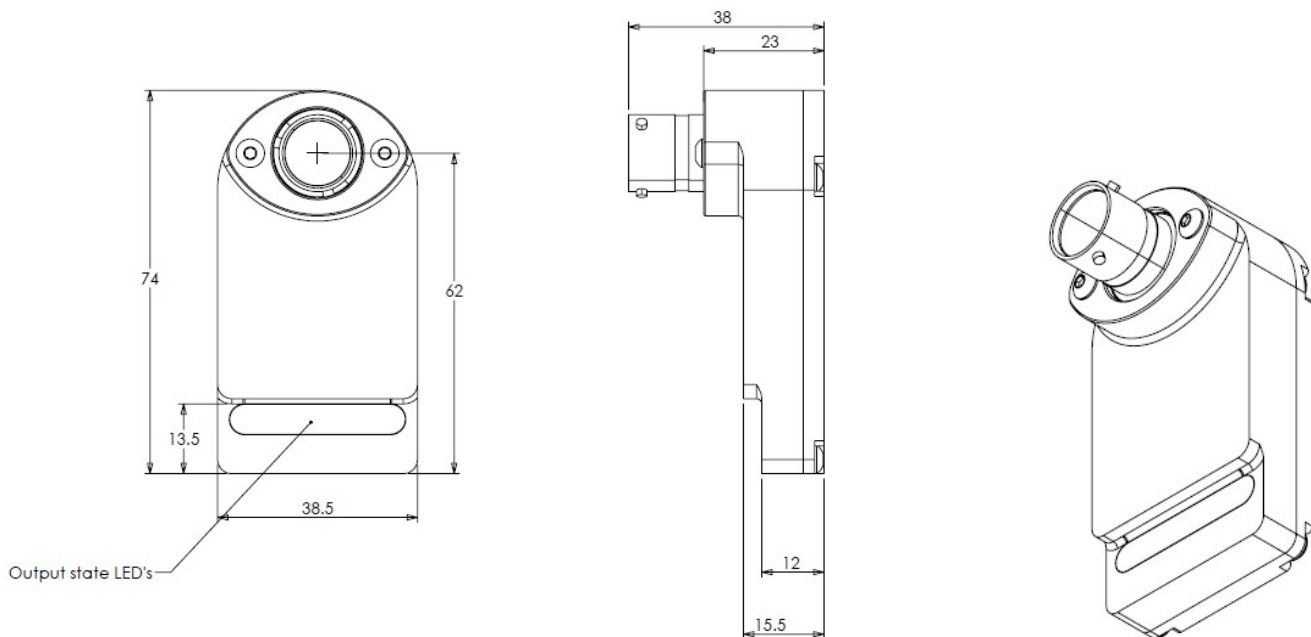
Electrical supply	6.1 - 38 V
Recommended working temperature	-40 to +85 °C
Environmental protection	IP66
Installation notes	See Appendix 2

Technical data:

Communication	CAN 2.0B
Output drivers	7
PWM output function	Yes, up to 5KHz (20kHz low side)
Baud rate	Selectable up to 1MBaud
CAN termination	Normally terminated, specify in build
Wiring connector fitted	AS210 35PN
Chassis loom connector reqd	AS610 35SN
Pin out	See Appendix 1

Dimensions:

Length	75 mm
Width	37 mm
Height	38 mm
Weight	65 g



Ordering information:

Description	Part number
CAN Output Expander	ZE061-1

Appendix 1
Connector pin out

Connector		AS210—35PN	Mating half	AS610-35SN
Pin Num	Description	Notes		
1	Output 6	Low/High Side 5 Amp		
2	Output 7	Low/High Side 5 Amp		
3	Output 3	Low Side 5 Amp		
4	Output 4	Low Side 5 Amp		
5	Output 5	Low Side 5 Amp		
6	Output 1	Low Side 5 Amp		
7	Output 2	Low Side 5 Amp		
8	Supply Voltage	12 V Battery		
9	Supply Voltage	12 V Battery		
10	Supply Gnd	Gnd Battery		
11	Supply Gnd	Gnd Battery		
12	CAN High			
13	CAN Low			

Appendix 2
Installation and running notes

- Keep away from sources of direct heat
- Mount with AV isolation mounts
- Do not pressure wash or similar