

Gearbox actuator Model ZF035-1

Introduction:

The Shiftec standard actuator is designed to provide powerful and reliable actuation of sequential gearbox selector levers

There are two adjustable rod ends for mounting and providing a secure installation.

The body is CNC machined from aluminium billet and protectively anodised. Combined with a hardened chrome shaft, this allows great durability and performance in a wide range of conditions.



Summary:

- Compact design
- Powerful action
- 34mm total stroke
- Adjustable rod ends
- M8 and 1/4" mounting ends
- Dash 4 JIC air feed fittings
- Proven durability in 24hr races

System requirements:

Air supply	<10 bar
Ambient working temperature	-10 to +75 °C
Installation notes	See Appendix 1

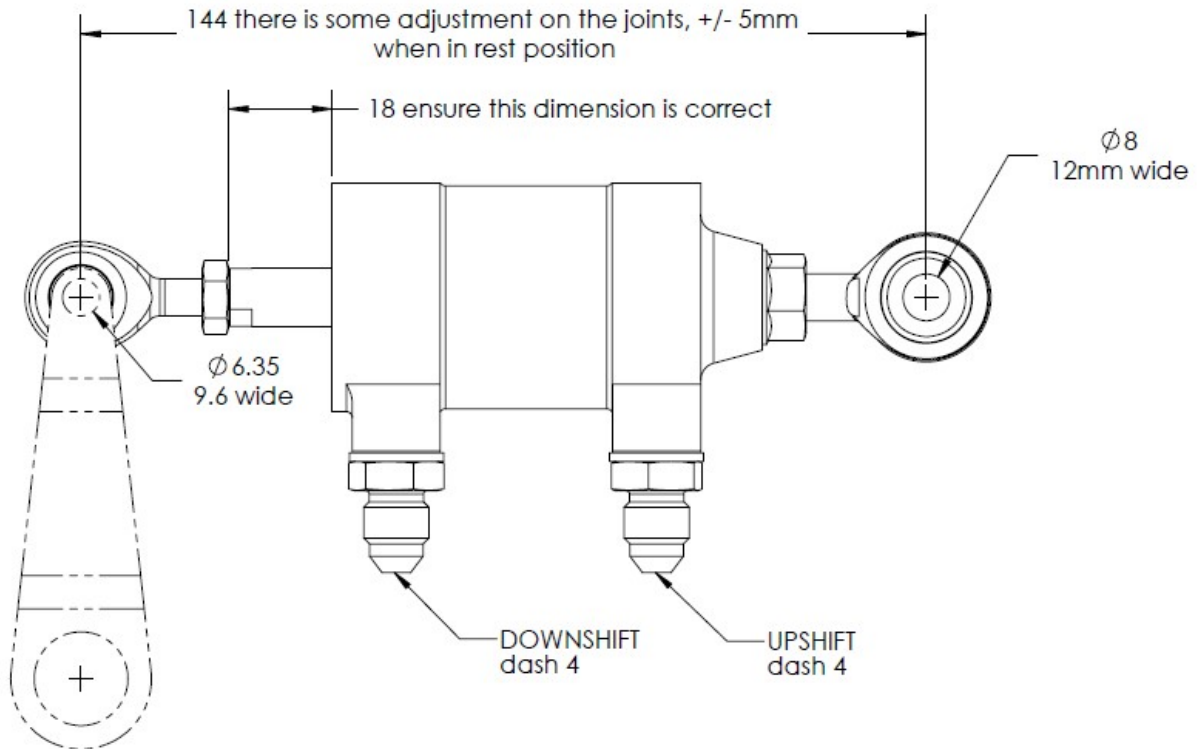
Technical data:

Maximum operating pressure	10 bar
Stroke	+/- 17 mm
Fittings air in	Dash 4 JIC male
Mounting rod ends	1/4 inch
	8 mm

Dimensions:

Length	144	mm between mounting centres
Width	40	mm
Height	70	mm
Weight	225	g

Installation at rest positon:



Ordering information:

Description	Part number
Actuator	ZF035-1

Appendix 1
Installation notes

- Install away from direct heat sources.
- Do not strain or side load actuator – allow free and easy movement.
- Use copperslip when attaching hose fittings – not Loctite or PTFE tape.
- Use only aluminium or stainless steel hose fittings
- Actuator should be at 90° to actuator clevis at rest.
- Ensure rest position is at mid point of stroke
- Upshift is normally rod extending from actuator, down is retraction.
- Keep rod clean of dirt and debris.
- A self centering device is available to help return stiff gear levers.