

## Valve block

**Models** ZD202-2, ZD203-3

### Introduction:

The ZD 200 series are tightly packaged pneumatic valve blocks featuring a built in pressure sensor and filter. They are designed to be driven and controlled by an external GCU or an ECU with transmission control ability. For applications with an electronic throttle control there is the two port ZD202-2 and for use with a pneumatic throttle blipper there is the three way ZD203-3.

Both blocks offer rapid response and actuation and have had their durability proven with a range of customers including endurance racers and off road competitors.

Weighing in at only 481g for the ZD202-2, the bespoke housing is CNC machined from billet aluminium and anodised for extra durability and protection. Connectivity is through a proven Autosport series connector. Inlet and outlet fittings are JIC standard.



### Summary:

- Built in pressure sensor
- Filter element to keep debris out
- Rapid response time
- High flow rate
- AV mountings fitted
- CNC billet body
- AS connector
- Proven durability

### System requirements:

Electrical supply	.....	8-18	V
Recommended working temperature	.....	-20 to +80	°C
Environmental protection	.....	IP66	
Maximum air supply pressure	.....	10	bar
Installation notes	.....	See Appendix 2	

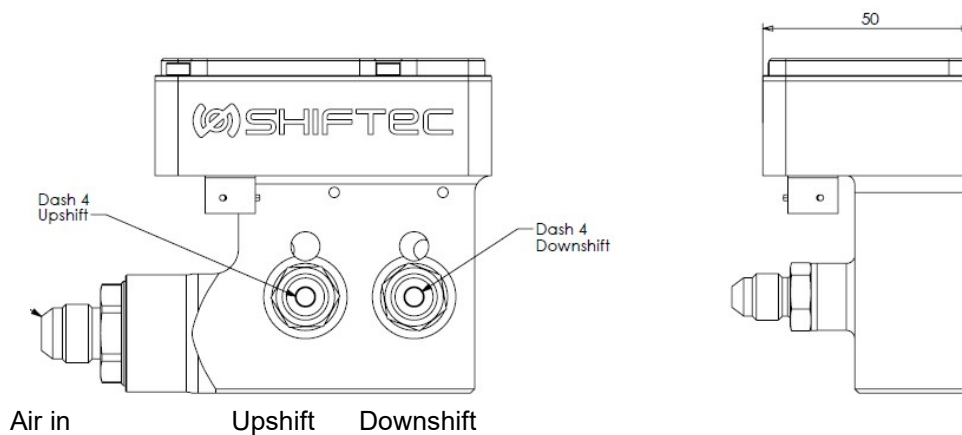
**Technical data:**

Air inlet fitting	.....	Dash 6 JIC
Air outlet fittings	.....	Dash 4 JIC
Internal sensors	.....	System pressure
Wiring connector fitted	.....	AS208 35PN
Chassis loom connector reqd	.....	AS608 35SN
Pin out	.....	See Appendix 1

**Dimensions:**

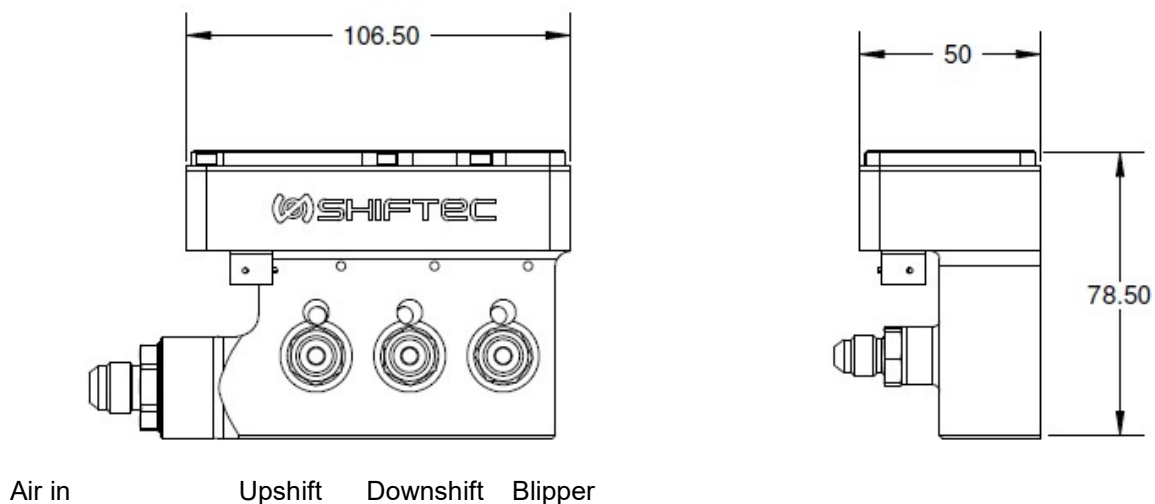
**ZD202-2**

Length	.....	105	mm
Width	.....	58	mm
Height	.....	78.5	mm
Weight	.....	481	g



**ZD203-3**

Length	.....	132	mm
Width	.....	58	mm
Height	.....	78.5	mm
Weight	.....	642	g



**Ordering information:**

Description	Part number
2 way valve block	ZD202-2
3 way valve block	ZD203-3

### Appendix 1

#### Connector pin out

Connector on block ..... AS208 35PN  
 Connector required on loom ..... AS608 35SN

Pin	Description	Notes
1	Down	
2	12V	12V supply
3	Pressure signal	See App2 for range
4	Blip	Not used on ZD202
5	Up	
6	0V sensor	GND for sensor

### Appendix 2

#### Pressure sensor calibration

Range	Output
0 – 10 bar	0.5 – 4.5 Volts

### Appendix 3

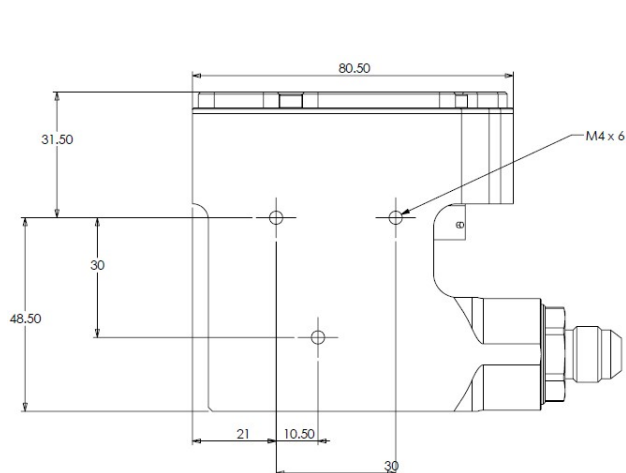
#### Installation and running notes

- Install using 3 x M4 AV mounts supplied with unit
- Keep away from direct sources of heat and vibration
- May be mounted in any orientation
- Keep pipe lengths to actuator and blipper to a minimum. Recommended not more than 400mm.
- Do not subject to direct pressure washing or similar
- Unit is sealed and must be returned to Shiftec for any work required
- Service recommended after 30hrs or 6000km use

### Appendix 4

#### Mounting holes location

**ZD202-2**



**ZD203-3**

