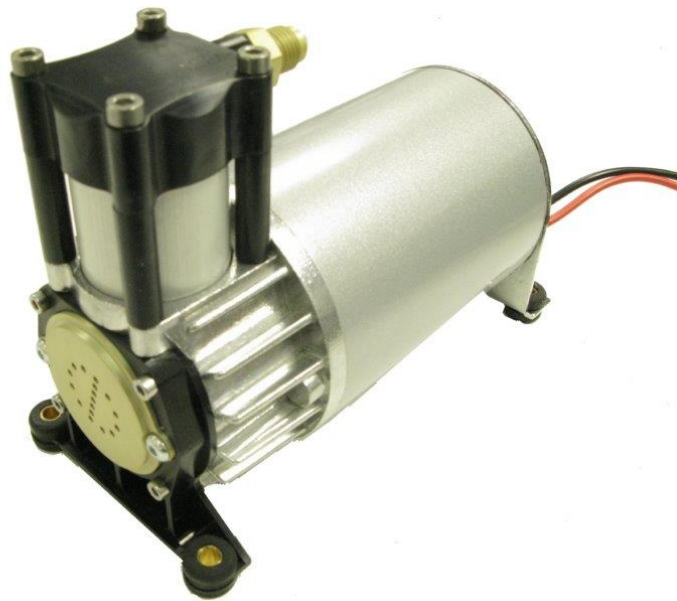


Compact air compressor billet Model ZA090-1

Introduction:

A 12V electric compressor based on well proven components, the ZA090-1 provides a reliable air supply of up to 10bar for use in pneumatic control applications. Internal reworking and blue printing allows high reliability and performance with each compressor going through a rigorous sign off procedure. The cylinder head and front plate are CNC machined from high grade aluminium billet. Features include serviceable air filter element, AV mounting rubbers and built in cooling vanes. Its small size allows for flexibility when mounting in a vehicle.



Summary:

The compact compressor provides a reliable pressure supply of up to 10bar. The components have been proven in endurance events such as Le Mans and Daytona 24hrs amongst other round the clock events. It runs off a normal 12V vehicle power system. The compressor is often controlled from the GCU or ECU and is normally switched through a relay or power distribution module. There are four mounting holes in the feet of the compressor allowing easy installation. The compressor requires a clean, cold air feed to ensure maximum performance and reliability. Outlet is a standard dash 4 JIC male fitting. Standard build is with unterminated flying leads, allowing customers to fit their connector of choice. DTP termination is available from stock and AS connectors can be fitted on request.

System requirements:

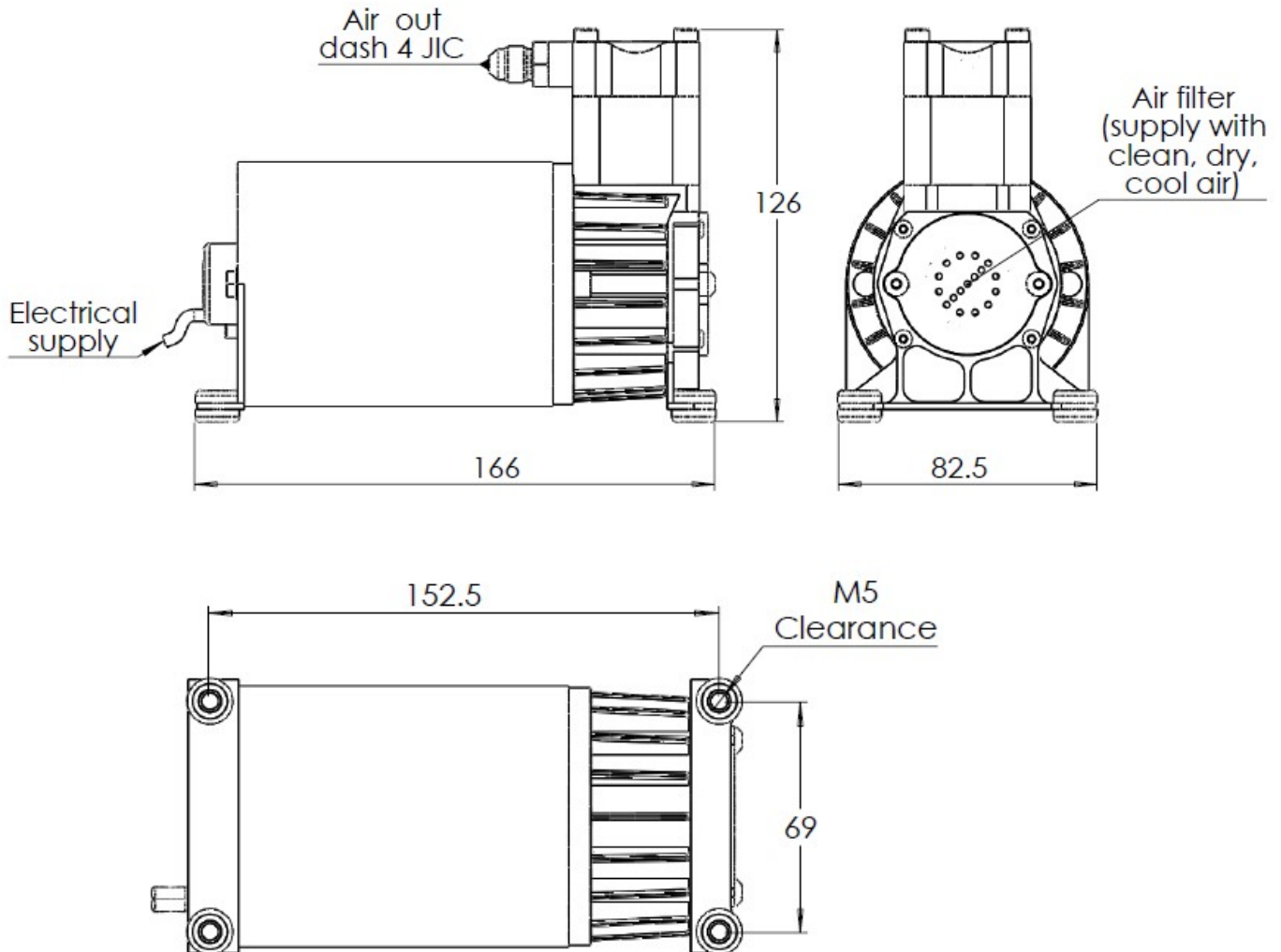
Electrical supply	12-15 V
Ambient working temperature	-10 to +50 °C
Installation notes	See Appendix 2

Technical data:

Maximum operating pressure	10 bar
Operating current	18 amps
Recommended supply capability	30 Amps ¹
Pin out	See Appendix 1

Dimensions:

Length	166	mm
Width	82.5	mm
Height	126	mm
Weight	2080	g



Ordering information:

Description	Part number
Compact compressor billet flying lead	ZA090-1
Compact compressor billet DTP connection	ZA091-1

Appendix 1
Connector pin out

Wire	DTP pin	Name	Comment
Red	1	+12V	Unterminated 300mm, DTP 200mm
Black	2	GND	Unterminated 300mm, DTP 200mm

Appendix 2
Installation and running notes

- Install with clean, dry, cold air feed
- Mount away from direct heat sources
- Recommended maximum on duty of 50%

Notes:

- 1 Peak inrush current on start up may be up to 45A